

Limited Warranty

DSC warrants that for a period of one year from the date of purchase, the product shall be free of defects in material and workmanship under normal use and that in fulfillment of any breach of such warranty, DSC shall, at its option, repair or replace the defective equipment upon return of the equipment to its repair depot. This warranty applies only to defects in materials and workmanship and not to damage incurred in shipping or handling, or damage due to causes beyond the control of DSC such as, lightning, excessive voltage, mechanical shock, water damage or damage arising out of abuse, alteration or improper application of the product.

The foregoing warranty shall apply only to the original buyer, and shall be in lieu of any and all other warranties, whether expressed or implied and of all other obligations or liabilities on the part of DSC. This warranty contains the entire warranty. DSC neither assumes responsibility for, nor authorizes any other person purporting to act on its behalf to modify or to change this warranty, nor assume for it any other warranty or liability concerning this product.

In no event shall DSC be liable for any direct, indirect or consequential damages, loss of anticipated profits, loss of time or any other losses incurred by the buyer in connection with the purchase, installation or operation or failure of this product.

Important!

DSC recommends that the entire system be completely tested on a regular basis. However, despite frequent testing, and due to but not limited to criminal tampering or electrical disruption, it is possible for this product to fail to perform as expected.

INSTALLATION INSTRUCTIONS

CFP200 Remote Trouble Unit CFP205 Remote Trouble & Alarm Unit



The CFP200 Remote Trouble Unit provides remote trouble annunciation for the CFP102/105 fire alarm control panels. The CFP205 Remote Trouble and Alarm Unit provides remote trouble annunciation for the CFP102/105 series fire alarm control panels. A maximum of four CFP200 and four CFP205 units can be connected to each control panel.

SPECIFICATIONS

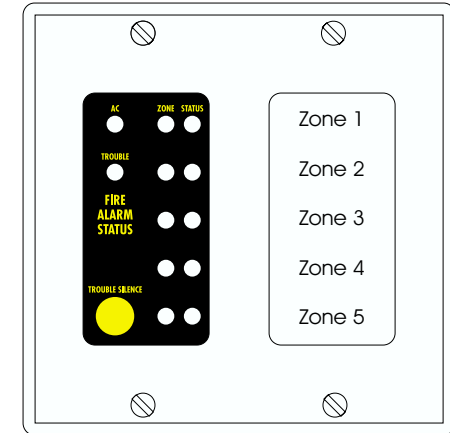
- Green AC ON indicator
- Yellow Common Trouble indicator
- Trouble Silence pushbutton
- Lamp Test function
- Communications: DAT & CLK from control panel
- Standby current: 15 mA
- Voltage: 24 Vdc
- Up to 8 addressable units (4 of each type)
- Supervised
- Power: AUX & COM from control panel

NOTE: This component must be included in the control panel battery calculation. Refer to the Standby Battery Calculation Sheet (PN# 29005851) included with the control panel.



CFP200

- Alarm current: 25 mA MAX
- Single gang mounting
- 2 3/4 x 4 1/2" (70 mm x 115 mm)



CFP205

- Alarm current: 40 mA MAX
- Double gang mounting
- 4 1/2 x 4 1/2" (115 mm x 115 mm)
- Alarm & Supervisory LED/Zone



INSTALLATION

The CFP200 module mounts in a single gang outlet box. The CFP205 mounts in a double-gang outlet box. Refer to Figures 1 & 2 and Tables 1 & 2.

1. Configure jumpers (item 1) for desired operating address.
2. Affix zone identification labels, if required, on the label aligned with the LED indicators (CFP205 Only).
3. Route Secure-bus wiring through the outlet box. Connect the 4 wires to the terminals (item 2) on the PC board.
4. Position the module in the outlet box and secure with the screws (item 3) provided (2 screws for the CFP200, 4 screws for the CFP205).
5. Secure the front panel (item 4) to module with the screws provided (item 5).

Figure 1 Exploded View

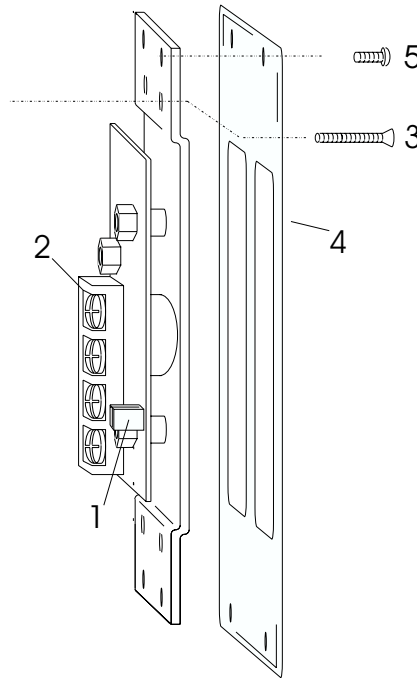
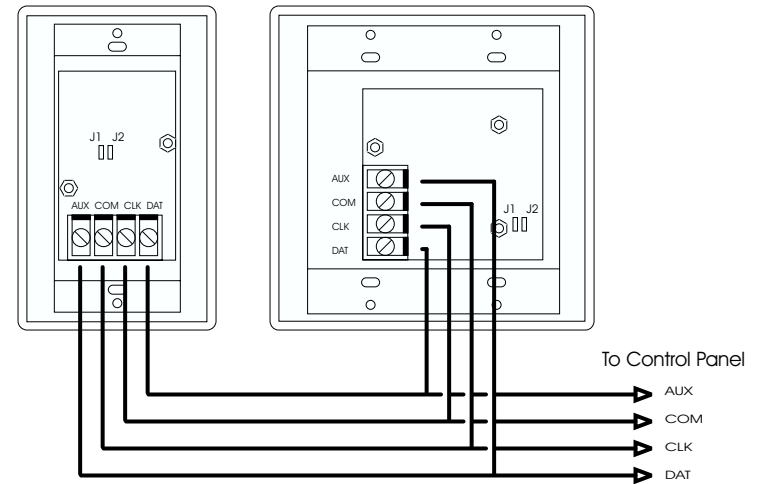


Figure 2 Panel Rear View



Typical wiring connections. Refer to the CFP102/105 Series Control Panel *Installation Manual* for 'Secure-Bus' wiring details.

OPERATION

The AC and Trouble LEDs on the remote units follow the control panel AC and Trouble LEDs. Pressing the Trouble Silence switch at the panel or at any remote unit will silence the trouble buzzer at the panel and all remote units.

Zone indicators on the remote units follow the zone indicators of the control panel. The red LED will operate if the panel zone is programmed for 'ALARM' and the yellow LED will operate if the panel zone is programmed for 'SUPERVISORY'.

The Lamp Test is initiated by pressing and holding the Trouble Silence pushbutton for 1/2 second. The LEDs will flash until the button is released.

Table 1 Address Programming

J1	J2	Address
OFF	OFF	1
ON	OFF	2
OFF	ON	3
ON	ON	4

Table 2 Secure-bus Wire Run Chart

Current	18 AWG		16 AWG	
	Feet	Meters	Feet	Meters
15	6410	1954	10160	3098
30	3200	976	5080	1549
45	2135	651	3385	1032
60	1600	488	2540	774
75	1280	390	2030	619
90	1065	325	1690	515